

Safety Switches

Product Description

SAFETY SWITCH

A safety switch is used to open or close an electrical circuit. Non-fusible safety switches provide a means to manually connect or disconnect the equipment from the power source. Fusible safety switches provide a means to manually open and close a circuit and overcurrent protection by using customer-installed fuses. Safety switches are also commonly referred to as a disconnect switch or simply a disconnect.

DOUBLE THROW SAFETY SWITCH

A double throw safety switch is sometimes referred to as a transfer switch. It performs the same function as a safety switch by opening or closing a circuit; however, its primary use is to transfer service from a normal power source to an alternate source (i.e., a residential generator) or to switch from one load circuit to another.

Features, Functions and Benefits

- ✓ 120/240, 240 or 600 volts.
- ✓ Easy to install.
- ✓ Ample wiring space.
- ✓ Padlockable.
- ✓ UL listed.



DP221NGB Plug Fuse Safety Switch, 30 Amperes, 120/240 Volts



DG322URB General-Duty, Non-Fusible Safety Switch, 60 Amperes, 240 Volts



DT224URK-NPS General-Duty, Non-Fusible Double Throw Emergency Power Safety Switch, 200 Amperes, 120/240 Volts



DH362UGK Heavy-Duty, Non-Fusible Safety Switch, 60 Amperes, 600 Volts

Safety Switches



DG321NRB General-Duty, Cartridge Fuse Safety Switch, 30 Amperes, 120/240 Volts



DP221NGB



DT223URH-N General-Duty, Non-Fusible Double Throw Emergency Power Safety Switch, 100 Amperes, 120/240 Volts



DT224URK-NPS



DG324NGK



DH362NGK Heavy-Duty, Fusible Safety Switch, 60 Amperes, 600 Volts



DT363URK Heavy-Duty, Non-Fusible Double Throw Emergency Power Safety Switch, 100 Amperes, 600 Volts

6

Disconnects

Applications

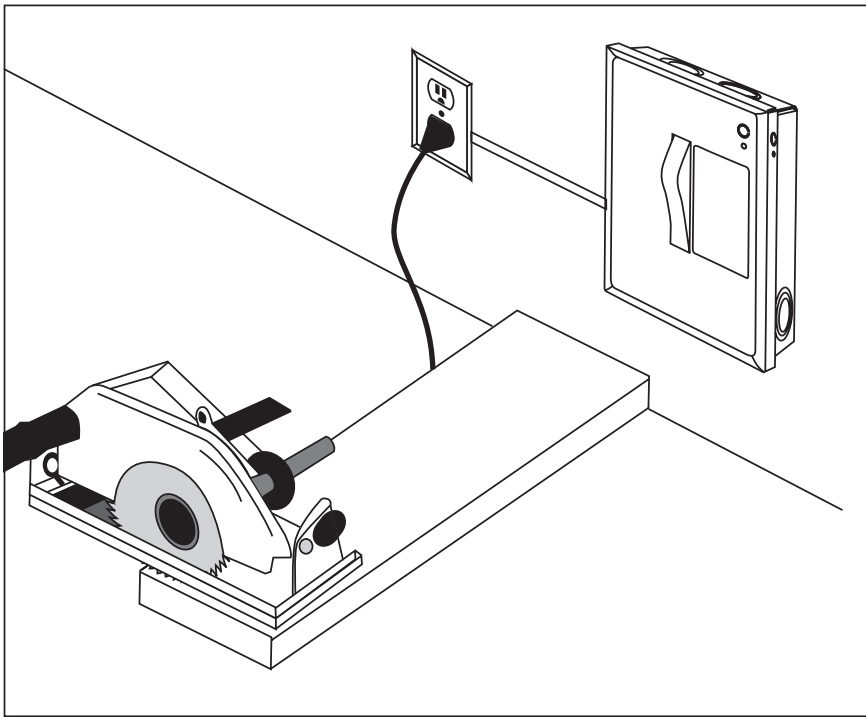


FIGURE 6-2. HOUSEHOLD WORKBENCH APPLICATION

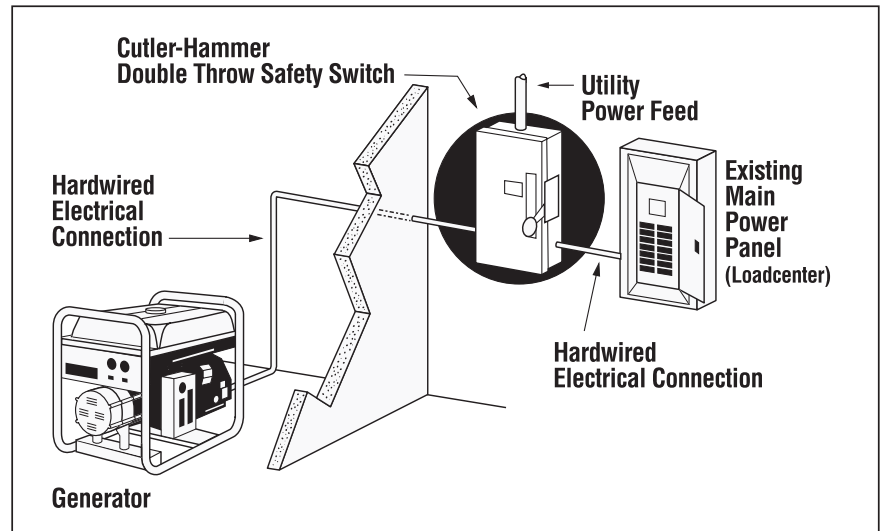


FIGURE 6-3. RESIDENTIAL GENERATOR APPLICATION WITH MANUALLY OPERATED DOUBLE THROW SAFETY SWITCH

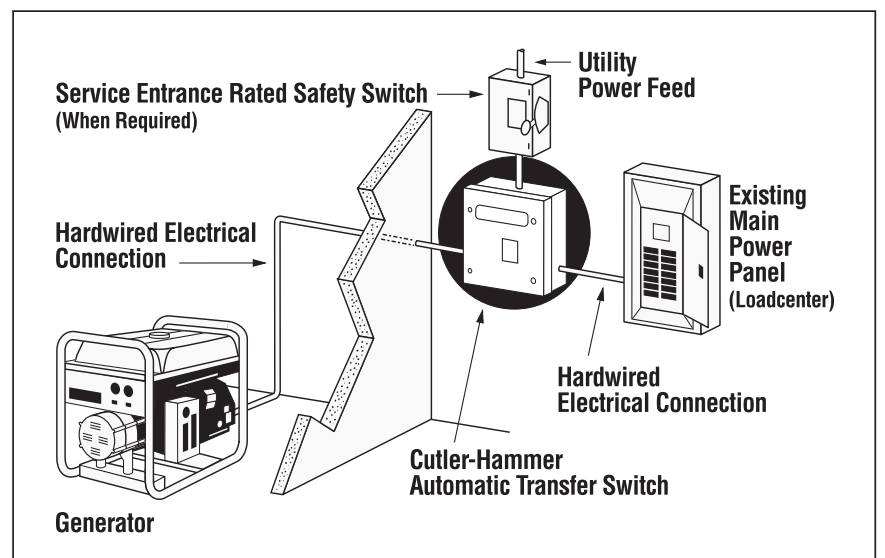
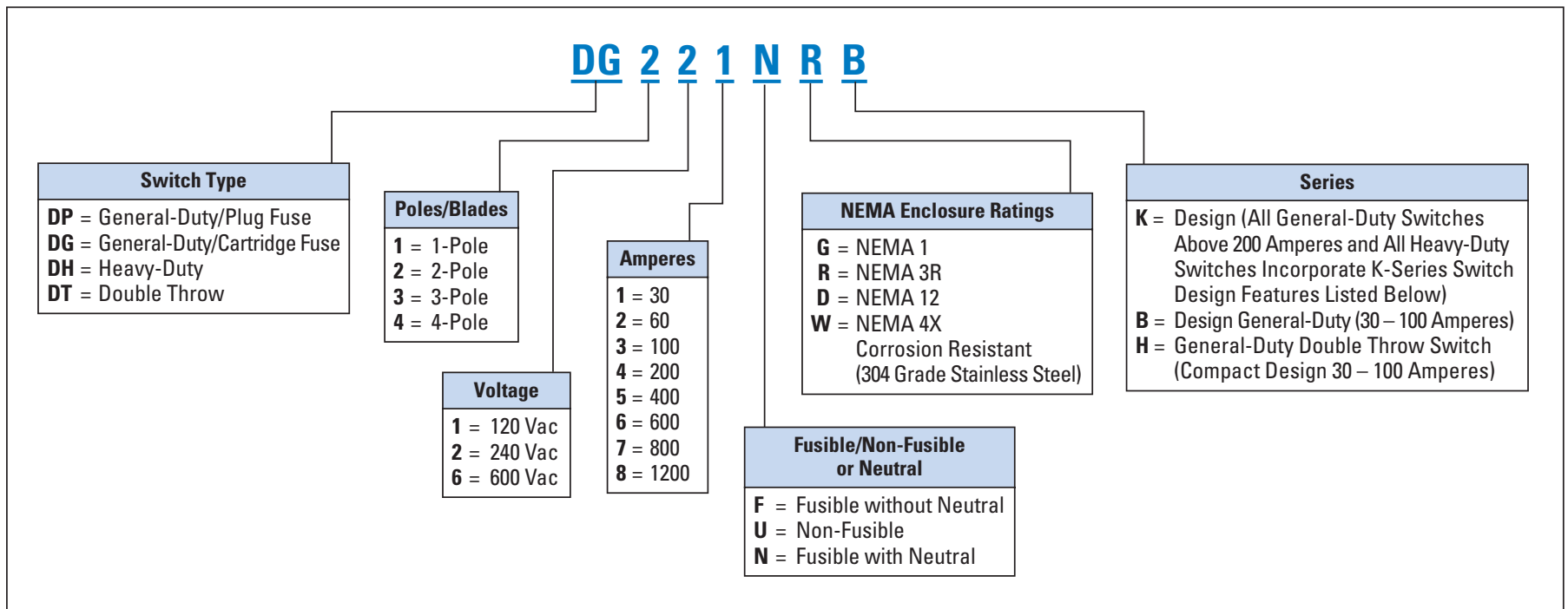


FIGURE 6-4. RESIDENTIAL GENERATOR APPLICATION WITH AUTOMATIC TRANSFER SWITCH AND SERVICE ENTRANCE RATED SAFETY SWITCH

Catalog Numbering System

TABLE 6-14. SAFETY SWITCH CATALOG NUMBERING SYSTEM



120/240 VAC GENERAL-DUTY, FUSIBLE, SINGLE THROW

TABLE 6-16. 120/240 VAC GENERAL-DUTY, FUSIBLE, SINGLE THROW

Ampere Rating	Fuse Type Provision	Maximum Horsepower Ratings ^①				NEMA 1 Enclosure Indoor	UPC Code	NEMA 3R Enclosure Rainproof	UPC Code
		1-Phase ac		3-Phase ac	dc				
		120 Volt	240 Volt	240 Volt	250 Volt				
3-Pole 3-Wire (Three Blades, Three Fuses) — 240 Vac									
30	—	—	—	—	—	②	—	②	—
60	—	—	—	—	—	②	—	②	—
100	—	—	—	—	—	②	—	②	—
200	—	—	—	—	—	②	—	②	—
400	H	—	—	50 – 125	—	DG325FGK ^③	782113589510	DG325FRK ^③	782113589527
600	H	—	—	75 – 200	—	DG326FGK ^③	782113589572	DG326FRK ^③	782113589589
4-Wire (Three Blades, Three Fuses, S/N) — 120/240 Vac									
30	H	—	1-1/2 – 3	3 – 7-1/2	—	DG321NGB	782113120201	DG321NRB	782113120348
60	H	—	3 – 10	7-1/2 – 15	—	DG322NGB	782113144283	DG322NRB	782113144290
100	H	—	7-1/2 – 15	15 – 30	—	DG323NGB	782113144344	DG323NRB	782113144351
200	H	—	15	25 – 60	—	DG324NGK	782113213538	DG324NRK	782113213545
400	H	—	—	50 – 125	—	DG325NGK	782113639208	DG325NRK	782113639215
600	H	—	—	75 – 200	—	DG326NGK	782113639222	DG326NRK	782113639239

- ① Maximum hp ratings apply only when dual element time delay fuses are used.
 ② Use 4-wire catalog numbers below.
 ③ Solid neutral bars are not included. Order separately from Table 6-27 on Page 6-18.

120/240 VAC GENERAL-DUTY, NON-FUSIBLE, SINGLE THROW

TABLE 6-17. 120/240 VAC GENERAL-DUTY, NON-FUSIBLE, SINGLE THROW

Ampere Rating	Maximum Horsepower Ratings				NEMA 1 Enclosure Indoor	UPC Code	NEMA 3R Enclosure Rainproof	UPC Code
	1-Phase ac		3-Phase ac	dc				
	120 Volt	240 Volt	240 Volt	250 Volt				
Non-Fusible — 2-Pole 2-Wire (Two Blades) — 240 Vac								
30	2	3	—	—	DG221UGB ^④	782113120102	DG221URB ^④	782113120232
60	3	10	—	—	DG222UGB ^④	782114731130	DG222URB ^④	782113144238
100	—	15	—	—	DG223UGB ^④	782114731147	DG223URB ^④	782114731154
200	—	—	—	—	④⑤	—	④⑤	—
3-Pole 3-Wire (Three Blades) — 240 Vac								
30	2	3	7-1/2	—	DG321UGB ^④	782113120140	DG321URB ^④	782113120287
60	3	10	15	—	DG322UGB ^④	782113144306	DG322URB ^④	782113144313
100	—	15	30	—	DG323UGB ^④	782113144368	DG323URB ^④	782113144375
200	—	15	60	—	DG324UGK ^④	782113213552	DG324URK ^④	782113213576
400	—	—	125	—	DG325UGK ^⑥	782113589534	DG325URK ^⑥	782113589541
600	—	—	200	—	DG326UGK ^⑥	782113589596	DG326URK ^⑥	782113589602

- ④ **WARNING!** Switch is not approved for service entrance unless a neutral kit is installed.
 ⑤ Use 3-wire catalog numbers below.
 ⑥ Drilled to accept field installed neutral kits.

Note: All general-duty safety switches are individually packaged.

Note: Accessories are limited in scope on general-duty safety switches. In addition, clear line shields are available as an accessory on 200 – 600 ampere general-duty switches.

Catalog Numbers: 200 A = 70-7759-11, 400 A = 70-8063-8, 600 A = 70-8064-8.